

NINNELT International GmbH
Peiner Strasse 221
DE-38229 Salzgitter (Engelstedt)
Tel: (+49) 53 41 - 8 66 06-0
Fax: (+49) 53 41 - 8 66 06-10
E-mail: info@ninnelt.de
Internet: www.ninnelt.de

Filling stations for gases and liquids
Conveying and transport technology
Palletizing systems
Safety breakaway couplings
CORKEN. Pumps • Compressors
Fittings • Ball valves
Repairs • Engineering



Filling Scale

Type WAB 90 m – Mechanical Shut-off Type WAB 90 p – Pneumatic Shut-off (Alternative WAB 105)



- Sturdy construction
- Tare weight with hand wheel and net weight with rider separately adjustable
- Application area from temperature independent
- With pneumatic or mechanical shut-off
- Universal application
- Unit construction system ensures adaptation to different operating conditions
- Maintenance- and repair-friendly



Type WAB 90
Execution with accessories

NINNELT International GmbH
 Peiner Strasse 221
 DE-38229 Salzgitter (Engelstedt)
 Tel: (+49) 53 41 - 8 66 06-0
 Fax: (+49) 53 41 - 8 66 06-10
 E-mail: info@ninnelt.de
 Internet: www.ninnelt.de

Filling stations for gases and liquids
 Conveying and transport technology
 Palletizing systems
 Safety breakaway couplings
CORKEN. Pumps • Compressors
 Fittings • Ball valves
 Repairs • Engineering



Application

The Filling Scale, type WAB 90 was developed specially for gravimetric cylinder filling of liquefied gases with filling pressures up to approx. 25 bar. At the same time the bottle filling of propane/butane stands in foreground. Equipping this filling scale with special shut-off valves it is possible to apply another media, such as carbon dioxide, anhydrous ammonia chlorine, refrigerating agents and others

Design Features

- The Filling Scale, type WAB 90 is available in two executions: type WAB 90 p (pneumatic shut-off) type WAB 90 m (mechanical shut-off)
- Extremely sturdy construction, designed for the strong demands of filling operations. Ball supports in the base make the filling machine resistant to a shock loading.
- Due to a comprehensive range of accessories the filling machine can be adapted to different requirements and loads.
- Maintenance- and repair-friendly thanks to easily exchangeable seats and blades in the substructure and the whole shut-off mechanism with shut-off valve in the weighing head.
- Pressing the STOP button, the filling process can be interrupted at any time.
- With the closed weighing cabinet that protects all important components from fouling and outer damage. After removing of the back panel are all important components like shut-off mechanism, shut-off valve etc. easily accessible.

Operation and Function

- Separate settings for tare and net weight prevent incorrect filling by entry mistakes.
- The Filling Scale was so designed that maintenance and repair do not require the highly trained personnel.

Installation

The Filling Scale is available in different executions and can be adapted due to a wide range of accessories to a variety of respective demands.

For the filling of small cylinders, for example, the Scale can be simply placed on the floor while for the filling of large cylinders it could be installed counter-sunk on the floor.

The integration into a chain conveyor (inline filling plant) or on a carousel is also possible.

Optional Features

- Shortened weighing cabinet for the filling of only small cylinders.
- Automatic filling head for the filling of the cylinders with click-on valves.
- Pneumatic lift table in case of integration of the filling scale into an inline plant.
- Installed pneumatic-automatic push-off device for filled cylinders in case of installation on a carousel.

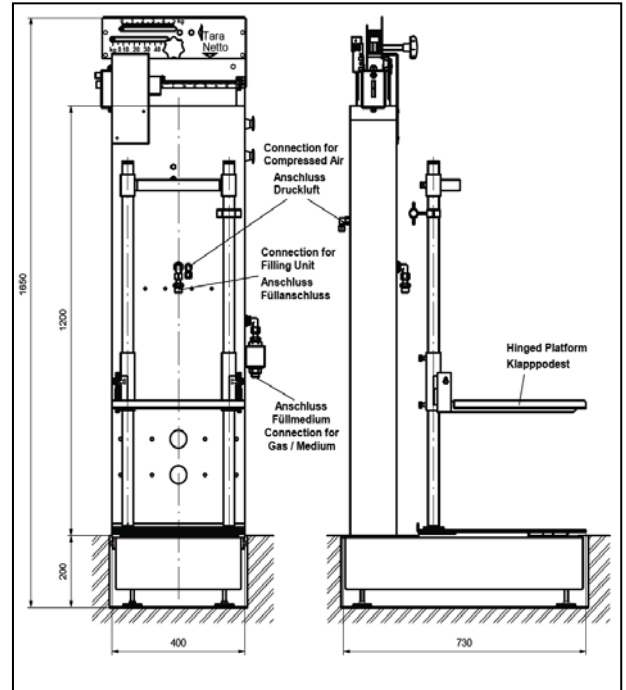


Fig.: Basic version with hinged platform

Technical Data

Total weighing capacity:	WAB 90 - 90 kg WAB 105 - 105 kg
Shut off:	Pneumatic or mechanical when set weight is attained
Tare and filling weight settings:	Separately for tare and net Tare: 0 -50 kg, division 5 kg 0 - 5 kg, division 100 g Net: WAB 90: 0 - 35 kg, division 0,5kg WAB 105: 0 - 50 kg, division 1 kg
Platform dimensions:	400 x 500 mm
Connections:	Compressed air: cutting ring screwing 8 mm Propane: male thread W 21,8 x 1/14" left hand
Energy:	Compressed air Working pressure: 5 - 6 bar Consumption: with pneumatic filling connection approx. 8 NI/cyl. Air quality: ISO 85731, class2
Weight:	approx. 100 - 120 kg, depends on configuration